

DDF4110HDV



Available shortly!



The DDF4110HDV is a vandal-resistant high-definition Cam_inPIX® colour IP network dome.

- 1/3" Full high-definition CMOS image sensor with Cam_inPIX® technology
- Pure Digital Signal Processing
- 10x optical zoom
- Additional 12x digital zoom
- ICR function for Day/Night switching
- Integrated Dallmeier Image Optimiser for perfect image quality even under difficult lighting conditions
- Enhanced image quality by means of numerous control functions such as AWB, AGC, BLC and slow shutter
- Zoom lens: F1.8-F2.1/ f=5.1-51 mm
- Auto-focus with manual correction
- Resolution: SD, HD (720p), frame rate up to 30 fps
- Video compression: MJPEG, H.264
- Simultaneous multi-streaming with freely selectable resolutions, frame and bit rates of each stream
- Integrated SmartZoom functionality
- Integrated motion detection with selectable sensitivity
- Alarm messages via email and FTP image upload
- Local video memory (USB/SD port)
- Integrated 64 MB RAM video buffer
- PoE ready
- Power supply: PoE or 24V AC
- Tri-axial adjustment
- Three available camera variants: in-ceiling mount, surface mount and weather-proof housing
- Compact, vandal-resistant housing with IP67 (surface mount variant)
- DIN EN 50130-4 compliant

Variants	
Item number	
200.408.01.100	DDF4110HDV-IM 720p / Day-Night / white / clear bubble / in-ceiling mount variant Zoom lens F1.8-F2.1/ 5.1-51mm
200.408.02.100	DDF4110HDV-SM 720p / Day-Night / white / clear bubble / surface mount variant Zoom lens F1.8-F2.1/ 5.1-51mm
200.408.03.100	DDF4110HDV-WM 720p / Day-Night / white / clear bubble / weather-proof variant Zoom lens F1.8-F2.1/ 5.1-51mm

Options	
Item number	
200.407.01.01	Clear bubble, for dome cameras
200.407.01.02	Tinted bubble, for dome cameras
100.041	Universal power pack 240V AC / 24V AC, removable adapter EU/UK/US/AUS
200.511	DPU-240W Dallmeier Power Supply Unit, 24/28V AC for the supply of up to 20x cameras

* Trademarks which are designated by an ® are registered trademarks of Dallmeier electronic.

Technical specifications

Sensor	1/3" Full High-Definition CMOS sensor with Cam_inPIX®
Signal processing	Digital Signal Processing
Image capture	Progressive
Transfer format	Progressive (full image)
Image resolution	Up to 1280 x 720 (HD)
B/W and colour mode	Automatic / manual
Day/Night functionality	Mechanical ICR function for Day/Night switching
Light sensitivity	At F1.8, 30IRE: 2 lux, (-DN) 0.2 lux
Zoom	Optical: 10x, digital: 12x
Focus	Automatic, one push, manual
Shutter speed	1/2 s to 1/10000 s (in 21 steps)
Signal to noise ratio (SNR)	> 50 dB
Digital noise reduction (DNR)	On/Off
Brightness adjustment (ALC/AE)	Automatic / manual
Backlight compensation (BLC)	On/Off
Automatic gain control (AGC)	Automatic / manual (-3 to +18 dB in 8 steps)
Gamma correction	Automatic / manual
Adjustable white balance	AWB, MWB, One push WB, indoor, outdoor
AE presets	6 presets
Configuration	Via web browser
Languages	English, German, French, Spanish, Hungarian
Motion detection (VMD)	With selectable sensitivity
Alarm notification	Via e-mail and ftp upload
SmartZoom	Integrated

Lens specifications

Iris range/ focus length range	F1.8–F2.1/ 5.1-51 mm
Iris control	DC auto iris
Horizontal angle of view	Approx. 50° - 5.4°
IR filtering	Included IR Cut filter

Format and coding

Video/audio compression	H.264, MJPEG / G.722, MPEG-1 Layer 2
Frame rate	Up to 30 fps
Video/audio bit rate	Up to 16 Mbps (6 Mbps typical) / up to 384 kbps
Resolution	SD, HD (720p)
Video streaming	Multi streaming simultaneous: H.264 and MJPEG
Multi streaming frame rate	with independently adjustable resolutions, frame and bit rates of the individual streams Up to 25 fps with maximal resolution

Interfaces

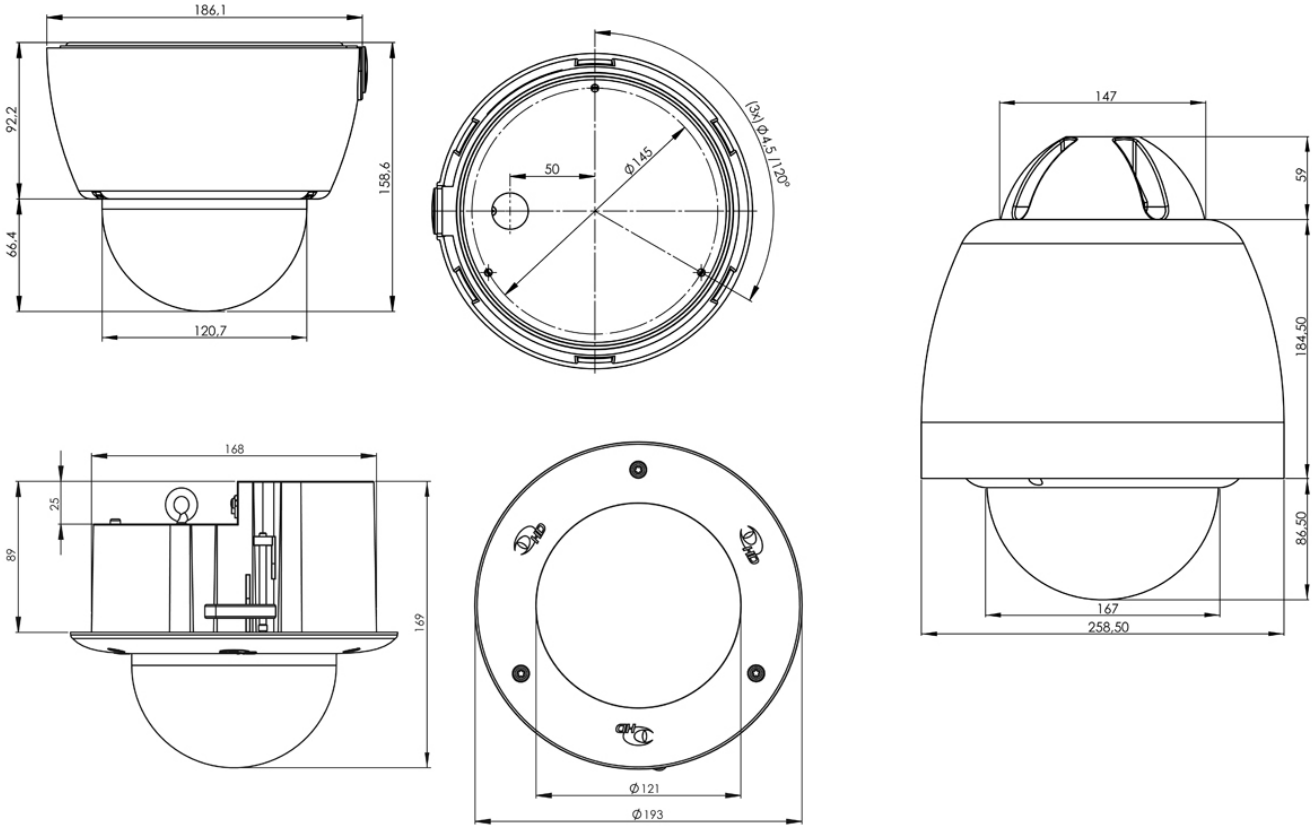
Video outputs	1x CVBS/3.5 mm phone jack (preview: analogue SD output)
Audio inputs	1x 3.5 phone jack (Line IN, stereo)
Audio outputs	1x 3.5 phone jack (stereo)
Ethernet	1x RJ45, 10BASE-T-/100BASE-TX-PoE
Ethernet protocols	Unicast: IPv4, TCP, HTTP, IGMP, DHCP, ARP, NTP, UDP Multicast: UDP, RTP, RTCP
Local video memory	Via integrated USB-/SD-port
Video buffer	64MB RAM ring storage (pre- and post alarm, network failure compensation)
Contact IN / relay OUT	3x IN / 1x OUT
Serial	1x RS485 (full-duplex)
Programming interface	Open API for 3rd party systems integration via Dallmeier ActiveX*

Further specifications

Video norm	HDTV, SDTV (PAL/NTSC)
Voltage supply	24V AC +/- 10% (50/60 Hz) or via PoE (class 0)
PoE conformity	IEEE 802.3af (no PoE adapter required)
Power consumption	Max. 12 W
Dimensions	Approx. Ø 186.1 x H 158.6 mm (surface mount variant) Approx. Ø 193 x H 164.4 mm (in-ceiling mount variant) Approx. Ø 259 x H 330 mm (Weather-proof variant) Approx. 1200 g (both variants)
Weight	Surface mount variant (in- and outdoor): -10°C - 40°C In-ceiling mount variant (indoor): 0°C - 35°C Weather-proof variant (outdoor): -30°C - 50°C
Operating temperature	
Humidity	0% - 90% RH non-condensing
IP rating	IP67 (surface mount variant)
Approvals/certifications	CE, FCC, UL, ACA, CB, DIN EN 50130-4

DDF4110HDV

Technical drawings



[mm]